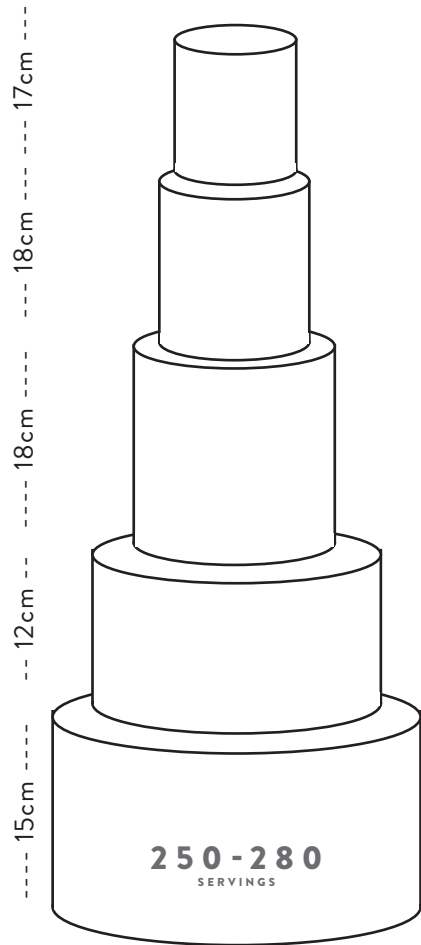
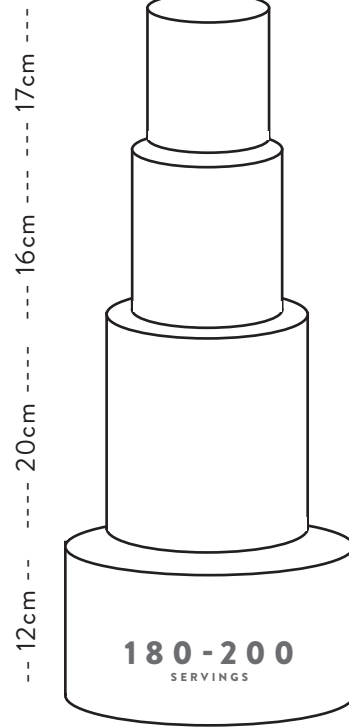


Please expect +/-3cm variants from measurement estimates.  
Weight of each cake is determined by the flavour and not only the size.  
We are able to do custom shapes and heights as well; please enquire for more info.

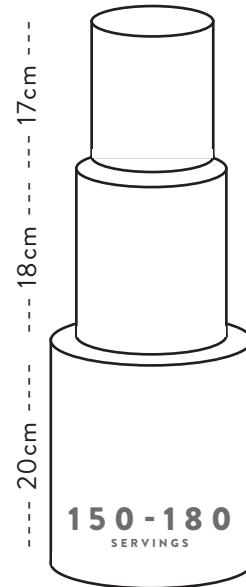


**CUSTOM 5 TIER**  
6' x 8' x 10' x 12' x 14'

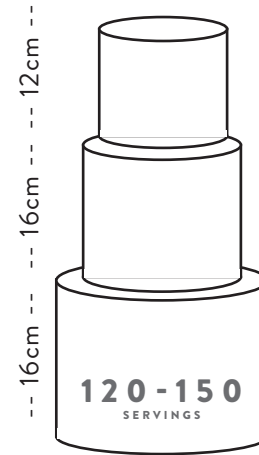
From RM4500



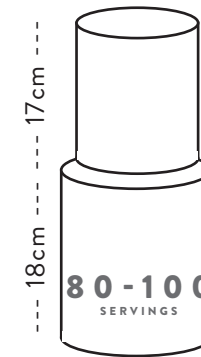
**CUSTOM 4 TIER**  
6' x 8' x 10' x 12'



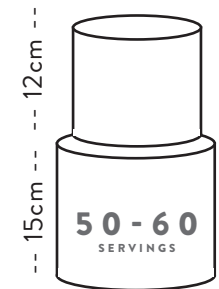
**TALL 3 TIER**  
6' x 8' x 10'



**CLASSIC 3 TIER**  
6' x 8' x 10'

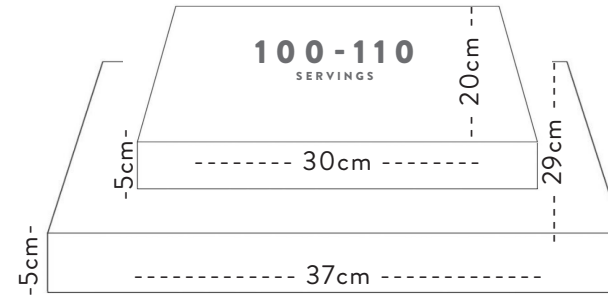


**TALL 2 TIER**  
6' x 8'

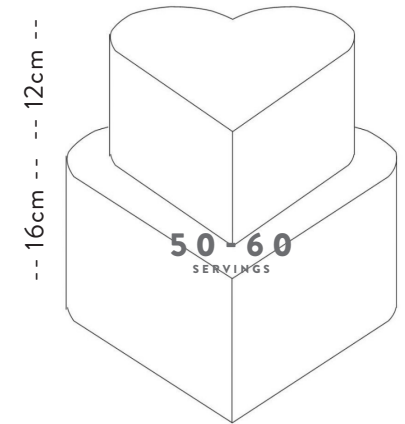


**CLASSIC 2 TIER**  
6' x 8'

From RM900



**DOUBLE BLOCK PARTY**  
FULL x HALF  
From RM1000

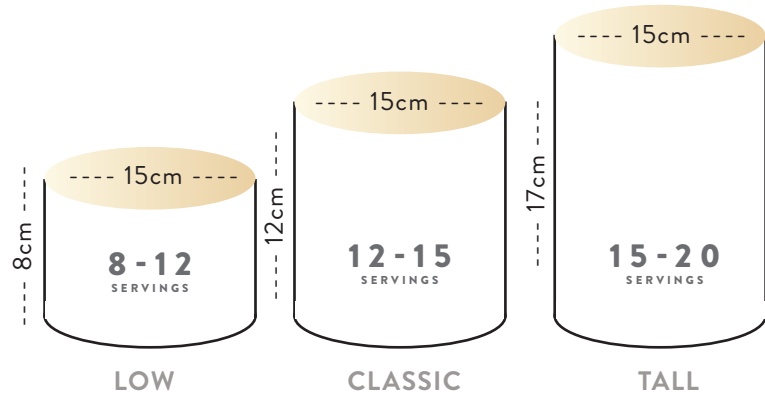


**DOUBLE HEART**  
6' x 8'  
From RM1000

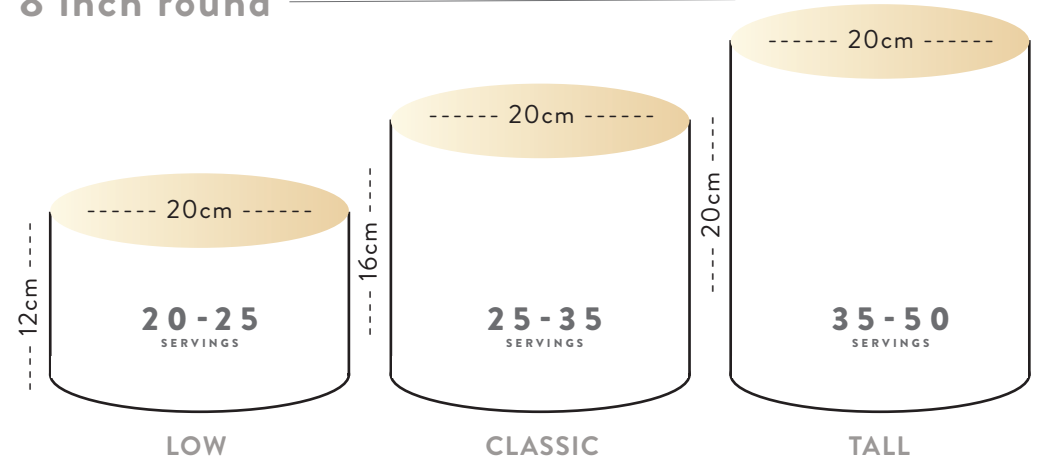
*Delectable*  
**SINGLE TIER  
 SIZE GUIDE**

Please expect +/-1-3cm variants from measurement estimates.  
 Weight of each cake is determined by the flavour and not only the size.  
 We are able to do custom shapes and heights as well; please enquire for more info.

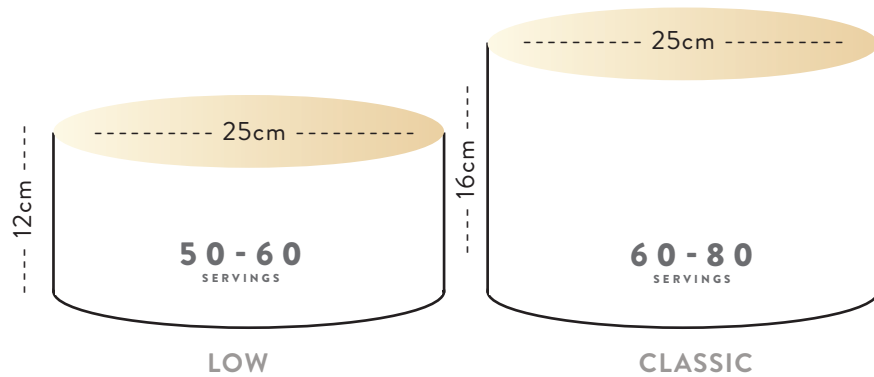
**6 inch round** From RM450



**8 inch round** From RM550



**10 inch round** From RM650



**Block Party** From RM300

